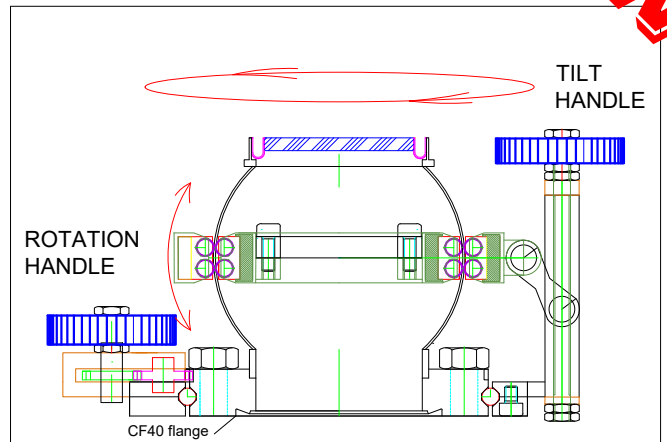
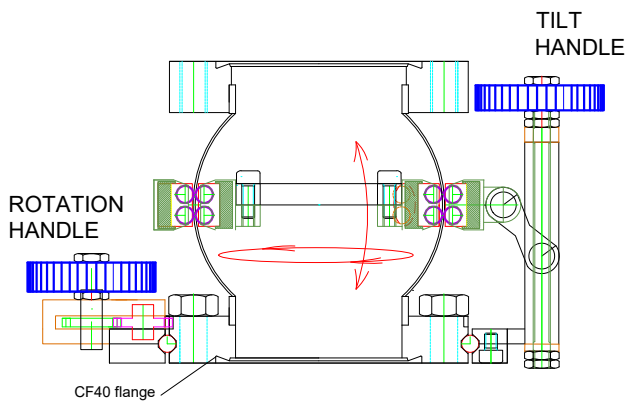


CF40 MAGNETIC STERADIANT VIEWER -Mod MSV

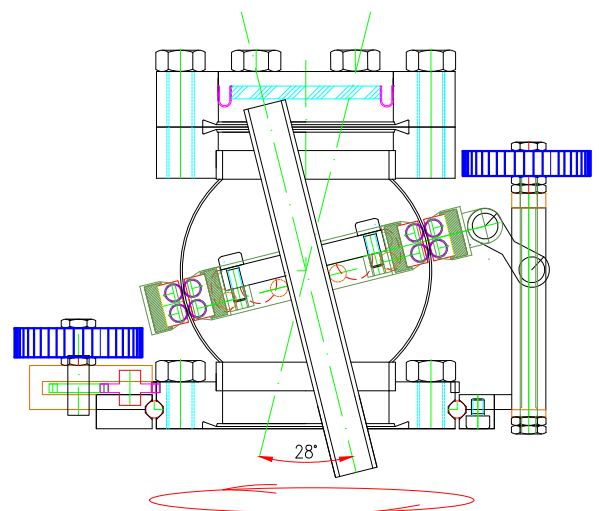
- * FULLY BAKEABLE TO 300 °C
- * TILL 54° STERADIANT
- * MOUNTING IN ANY ATTITUDE
- * ULTIMATE VACUUM 2.10*-11mbar

Designed for application in Ultra High Vacuum, OV22 Optical Viewer is a manipulator manually operated on a 22° solid angle by two handles : one handle rotates continuously 360°the bearing all around the CF40 base; the second one induces an oscillation between the two CF40 flanges .On the bearing many instruments are available .

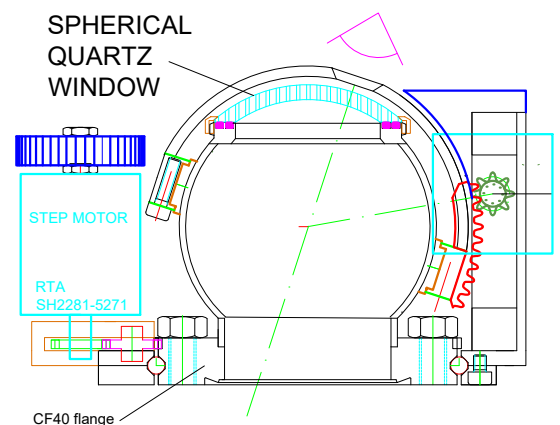
Typically a PLD laser can rotate around the center of the quartz window striking different targets, so the quartz window life is more durable.



Welded-Mod MSV-CF40



CF40 Window-Mod MSV-CF40



Spherical Window-Mod MSV-CF40

We have many designs, contact the factory for your application

CF40 Magnetic Steradiant Viewer MSV

Mounting flange	CF40ID
Bakeout (WITHOUT MOTOR)	300°C
Steradiant angle	Till 38°
Ultimate vacuum	2.10*-11mbar
Ordering code	TM 005